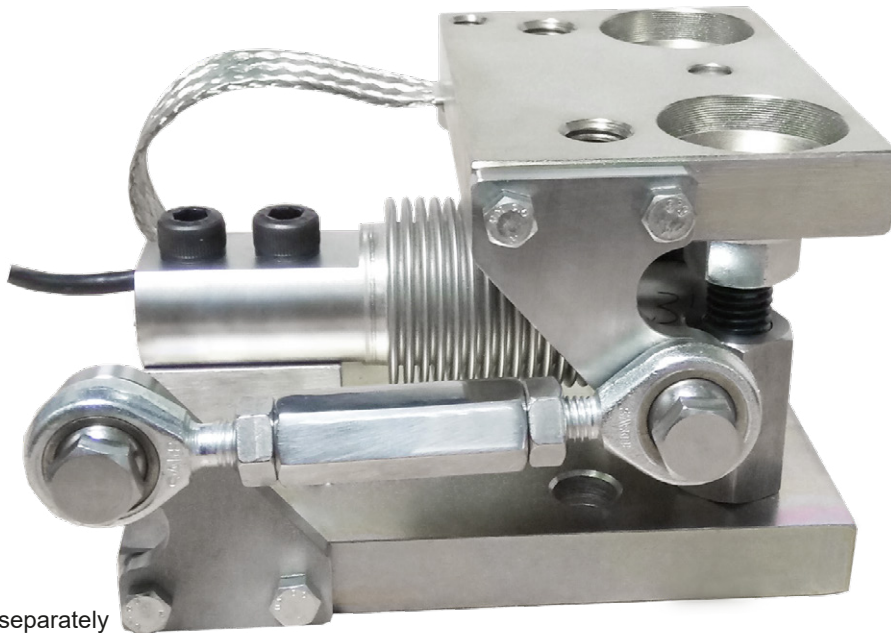


## STABIFLEX-F 500 EVO 10 ... 500kg



Load cell and stabilizer sold separately

### Performance Features

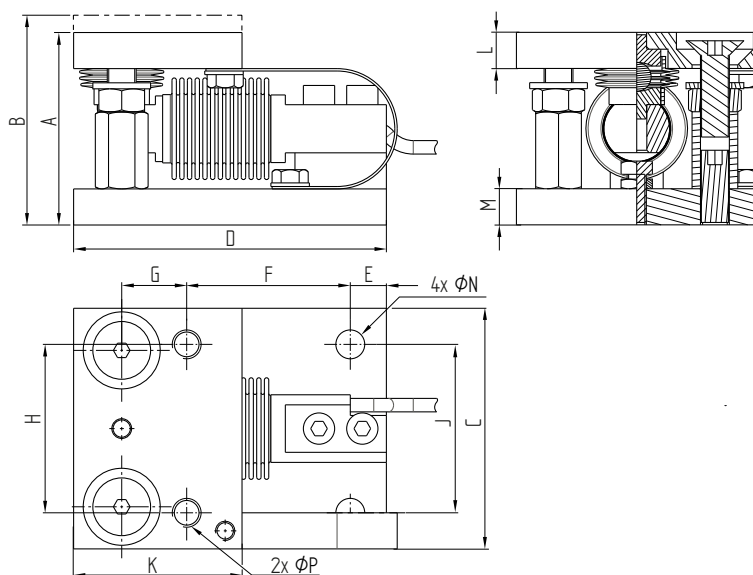
- Zinc plated or stainless steel construction
- Cross stoppers and lift off prevention included
- Ball-and-cup design for accurate weighing
- Integrated jacking bolts
- Metal braid grounding cable
- Optional stabilizer to maintain the structure in dynamic application

### Application

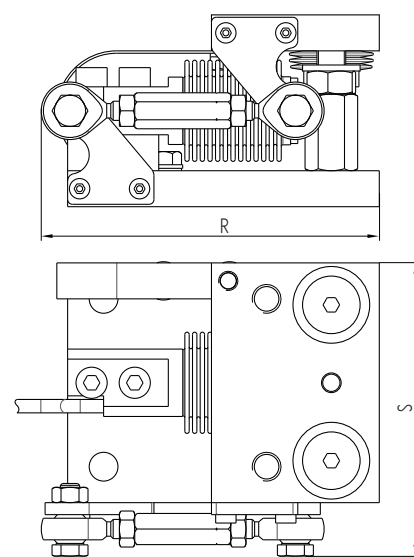
- Mounting kit for F60X-6W
- Only compression load
- Designed for tank or hopper weighing
- Food industry
- Coal and steel industry
- Chemical / pharmaceutical industry
- Waste management / recycling
- Packaging technology

## Dimensions in mm

STABIFLEX-F EVO without stabilizer



STABIFLEX-F EVO with stabilizer



Measuring range (F60X-6W)	A	B <sup>1</sup>	C	D	E	F	G	H	J	K	L	M	N	P	R	S	
10 ... 500 kg	mm	80	86	100	130	15	68	27	70	70	70	15	15	12	M12	141	123

<sup>1</sup> Loading plate in upper position

Article-No.	Description	Version	Material
103265	F60X Stabiflex-F 500 EVO	Without stabilizer	Zinc plated
117575	F60X Stabiflex-F 500 EVO	With stabilizer	Zinc plated
102887	F60X Stabiflex-F 500 X EVO	Without stabilizer	Stainless steel
117576	F60X Stabiflex-F 500 X EVO	With stabilizer	Stainless steel

## Technical Data

Type		STABIFLEX-F EVO	STABIFLEX-FX EVO	STABILIZER
For load cell F60X-6W	kg	10 ... 500		10 ... 500
Max. displacement:				
Without stabilizer	mm	±3.5		-
With stabilizer		±0		-
Max lateral force before stoppers (In N by applied kg)	N/kg	3		-
Max. Lift-off force	kN	4.9		-
Max. lateral force	kN	4.9		-
Max. Longitudinal force	kN	-		1.9
Influence of the stabilizer on the weighing				< ±50 <sup>2</sup>
Material		Zinc plated	Stainless steel	Stainless steel

<sup>2</sup>Due to the influence of the stabilizer on the weighing, their use is not recommended for load cells with a measuring range < 100 kg.

## Options

Article-No.	Description	Remark
117580	Stabiflex-F 500 EVO/X EVO	Stabilizer for Stabiflex-F 500 EVO / FX EVO, stainless steel
119484	F60X Stabiflex-F 500 EVO/X EVO	Sensor mounting and stop adjustment for Stabiflex-F 500 EVO / FX EVO
114556	F60X Stabiflex-F 500, Ersatzteilset	Consisting of shells, ball and rubber bellows

Further suitable accessories you can find on our homepage under: <https://www.lorenz-messtechnik.de/english/products/>