

## Rocker Pin Load Cell CB50X-DL with a Rated Load of 20 ... 60 t

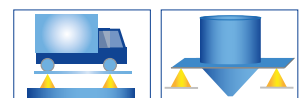


### Performance Features

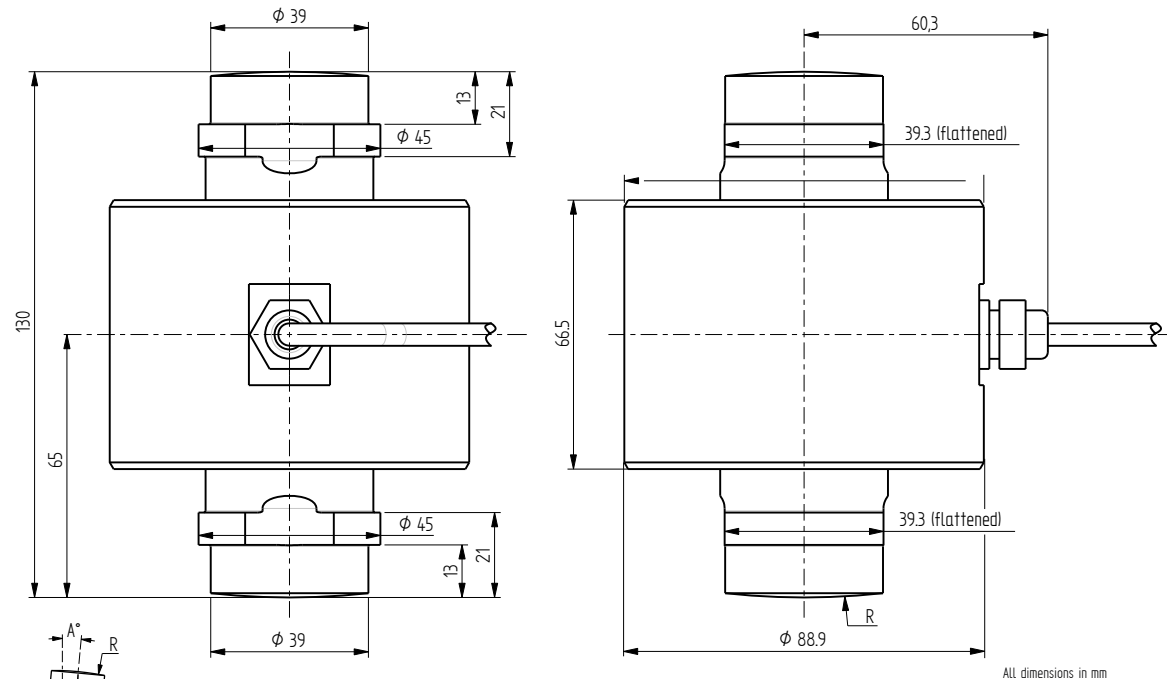
- Digital rocker pin load cell made of stainless steel, welded with protection class IP68
- 4000d OIML approved, optional Version C5 with 5000 OIML on request
- Digital output via RS485 interface
- Spherical and self centering base
- Anti-rotating system included
- Ideally suited for weighbridge use and silo weighing
- Rodent protection as standard
- Integrated ESD protection
- Lightning protection integrated to DLCJB box

### Application

- Food industry
- Coal and steel industry
- Chemical / pharmaceutical industry
- Waste management / recycling
- Packaging technology



## Dimensions in mm



All dimensions in mm

| R (mm)      | Rated Load [t] |      |      |      |
|-------------|----------------|------|------|------|
|             | 20             | 30   | 40   | 60   |
| A° max.     | 4.4°           | 3.7° | 3.1° | 2.4° |
| D max. (mm) | 11             | 10   | 7    | 5.5  |
| F (%)       | 11.2           | 11.6 | 11.2 | 10.1 |

D max.: Max. permissible lateral displacement of load introduction

A° max.: Slope at D max.

F: Restoring force at D max. (% of applied load)

ATTENTION: Before use, please observe our technical notes on the assembly instructions (NT WEIGHBRIDGE)

| Article-No. | Version | Rated load [t] |
|-------------|---------|----------------|
| 110655      | C4 10e  | 20             |
| 110656      | C4 10e  | 30             |
| 110657      | C4 10e  | 40             |
| 110658      | C4 10e  | 60             |

## Connection Assignment

### Electrical Connection

| Function       |           | Wire Color |   |
|----------------|-----------|------------|---|
| Excitation (+) |           | White      | ○ |
| Excitation (-) |           | Brown      | ● |
| RS485 Output   | RS485 (+) | Green      | ● |
|                | RS485 (-) | Yellow     | ● |
| RS485 Input    | RS485 (+) | Gray       | ● |
|                | RS485 (-) | Pink       | ● |

## Technical Data

| Type  | CB50X              |                         |
|---|--------------------|-------------------------|
| Version   |                    | C4 10e                  |
| Rated load <b>E</b>   | t                  | 20; 30; 40; 60          |
| Maximum load for approved weighing <b>E<sub>max</sub></b>     | t                  | 20; 30; 40; 60          |
| Accuracy class OIML R60                                       |                    | C4                      |
| Maximum numbers of load cell intervals <b>n<sub>max</sub></b> | d OIML             | 4000                    |
| Minimum verification interval <b>v<sub>min</sub></b>          | t                  | $E_{max}/10000$         |
| Creep division factor $Z = E_{max}/2 \times DR$               |                    | 4000                    |
| Combined error  | % E                | ±0.013                  |
| Temperature coefficient of zero signal                        | % E/°C             | ±0.0014                 |
| Temperature coefficient of characteristic value               | % E/°C             | ±0.0011                 |
| Load creep <b>d<sub>cr, F</sub></b> in 30 min.                | % E                | ±0.018                  |
| Rated range of supply voltage                                 | VDC                | 7.5 ... 16              |
| Rated sensitivity at E  | Digits             | 200000                  |
| Current consumption   | mA                 | 35                      |
| Converter type  |                    | Delta-Sigma             |
| Internal resolution   | Bit                | 24                      |
| Measuring rate  | 1/s                | max. 100                |
| RS485 interface   |                    | 2-Wire-Bus, Half-Duplex |
| - Transfer rate   | Bit/s              | 4800 .. 19200           |
| - Number of slaves  |                    | max. 32                 |
| Electrical connection   |                    | Cable, PVC, 15 m        |
| Material cable gland  |                    | Nickel plated steel     |
| Rated temperature range <b>B<sub>T, nom</sub></b>             | °C                 | -10 ... 40              |
| Operating temperature range <b>B<sub>T, G</sub></b>           | °C                 | -20 ... 60              |
| Limit load <b>E<sub>lim</sub></b>                             | % E <sub>max</sub> | 150                     |
| Breaking load <b>E<sub>b</sub></b>                            | % E <sub>max</sub> | 300                     |
| Level of protection   | EN 60529           | IP68                    |
| Material  |                    | Stainless steel         |
| Weight  | kg                 | 3                       |

## Options

| Article-No. | Description            |
|-------------|------------------------|
| on request  | Version C5, 5000d OIML |

## Accessories

### Weighing Electronics

| ALCJB-A   | CPJ/CPJ2S   | IPE50 Panel   |
|---|---|---|
|  |  |  |

## Accessories (continued)

### Assembly kit

| Article-No. | Description                  | Material          |   |
|-------------|------------------------------|-------------------|---|
| 105220      | Mounting kit Stabican 30t    | Zinc plated steel |    |
| 105219      | Mounting kit Stabican 30t    | Stainless steel   |   |
| 111186      | Mounting kit STABICAN 60t    | Zinc plated steel |   |
| 110653      | Cups kit LPC                 | Zinc plated steel |    |
| 108590      | Fastening and cups kit LPM   | Zinc plated steel |   |
| 111187      | Fastening and cups kit LPM-X | Stainless steel   |   |
| 110654      | Self aligning kit LPS        | Zinc plated steel |  |

Further suitable accessories you can find on our homepage under:  
<https://www.lorenz-messtechnik.de/english/products/load-cells.php>