

Single Point Load Cell AHN with a Rated Load of 250 kg

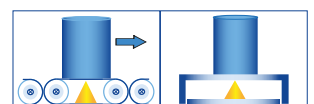


Performance Features

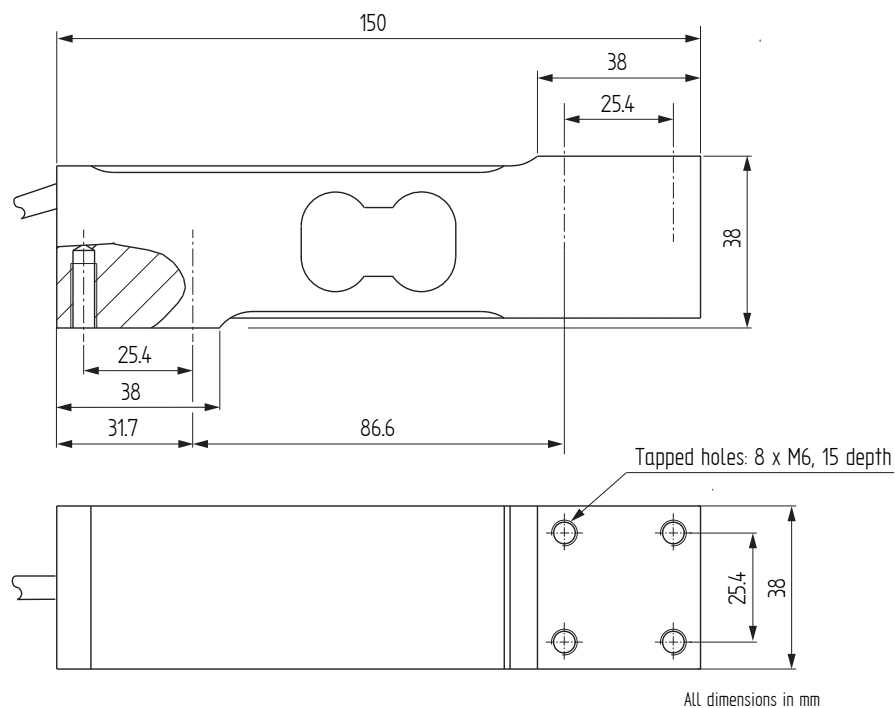
- Aluminum single point load cell
- 4000d OIML R60 approved
- Level of protection: IP65
- Designed for platforms of maximum dimensions 500 mm x 500 mm (off-center load compensated)
- Low profile design

Application

- Food industry
- Coal and steel industry
- Chemical/pharmaceutical industry
- Waste management/recycling
- Packaging technology



Dimensions in mm



Article-No.	Version	Rated load [kg]
111871	C4 10e	250

Connection Assignment

Electrical Connection	
Function	Wire Color
Excitation (+)	Brown ●
Signal (+)	Yellow ●
Signal (-)	White ○
Excitation (-)	Green ●
Sensing (+)	Gray ●
Sensing (-)	Pink ●

Technical Data

Type	AHN	
Version		C4 10e
Rated load E	kg	250
Maximum load for approved weighing E_{max}	kg	250
Accuracy class OIML R60		C4
Maximum numbers of load cell intervals n_{max}	d OIML	4000
Minimum verification interval v_{min}	g	25
Creep division factor $Z = E_{max}/2 \times DR$		4000
Combined error	% E	±0.013
Temperature coefficient of zero signal	% E/°C	±0.0014
Temperature coefficient of characteristic value	% E/°C	±0.0011
Load creep d_{cr, F} in 30 min.	% E	±0.018
Zero balance	% E	±10
Rated characteristic value C_{nom}	mV/V	2 ±10 %
Rated range of excitation voltage B_{U, nom}	V	1 ... 15
Input resistance R_e	Ω	410 ±20
Output resistance R_a	Ω	350 ±5
Insulation resistance R_{is}	MΩ/50V	1000
Electrical connection		Cable, PVC, 3 m
Rated temperature range B_{T, nom}	°C	-10 ... 40
Operating temperature range B_{T, G}	°C	-20 ... 60
Limit load E_{lim}	% E _{max}	150
Breaking load E_b	% E _{max}	200
Tightening torque	Nm	15
Maximum platform dimension	mm	500 x 500
Level of protection		IP65
Material		Aluminum
Weight	kg	0.5

Options

Article-No.	Description
111735	Protective coating
-	Version C6 (6000d OIML)

Accessories

Electrical Connection

Article-No.	Description
10323	Male cable connector KS6 (6-pin, Series 581) incl. mounting
10320	Male cable connector KSSH15 (15-pin) incl. mounting
43418	Input connector ZA9612FS (ALMEMO) incl. sensor mounting and connector calibration
49205	Input connector ZKD712FS (ALMEMO 202) incl. sensor mounting and connector calibration

Accessories (continued)

Weighing Electronics

ALCJB-A	CPJ/CPJ2S	IPE50 Panel
 The image shows the ALCJB-A terminal block, which is a white plastic component with two rows of terminals. The top row has four terminals and the bottom row has four terminals. The internal wiring is visible through a transparent window.	 The image shows the CPJ/CPJ2S terminal block, which is a green plastic component with a single row of terminals. It has a compact, rectangular design.	 The image shows the IPE50 Panel, which is a black and blue electronic device. It features a red LED display showing '30.000', several buttons, and a small speaker or indicator light.

Further suitable accessories you can find on our homepage under:

https://www.lorenz-messtechnik.de/english/products/lc_weighing-electronics.php